




National Product Specification

PRODUCT SPECIFICATION	BPR-FPS-5332-NAT	Date of Creation		02/09/2014	
		Issue Number	C	Date	24/08/2018

Product Name	Bulk - Fresh - Chicken - Frames - 10Kg - Carton
Name on Pack	N/A

Product Code(s)	DESCRIPTION	APN/EAN	TUN/GTIN	BRAND	Weight Declaration	PACK SIZE = Unit/Carton
90110	FSH BLK 10KG FRAMES CTN	N/A	19310213901109	Bulk - Unbranded	FIXED	10.000Kg

1. PRODUCT DESCRIPTION	
<p>A carton pack of fresh chicken: - Chicken Frames</p>	

2. PRODUCT PARAMETERS				
2.1. PHYSICAL PARAMETERS				
Ingredient	Parameter	Target	Range	
Fresh Chicken Frames	Number of pieces	N/A	N/A	N/A
	Portion Weight	N/A	N/A	N/A
Finished Product	NET Weight per pack	10Kg	10Kg	10.5Kg
	Temperature (in °C)	4°C	0°C	5°C

2.2. MICROBIOLOGICAL PARAMETERS			
Test	Method	Limit	Frequency
Microbiological - Total Plate Count	Accredited NATA analysis laboratory	<100,000,000 cfu/g at end of shelf life	Annually
Campylobacter	Accredited NATA analysis laboratory	<1,000 cfu/g at end of shelf life	Annually

2.3. CHEMICAL PARAMETERS – N/A

2.4. SENSORY


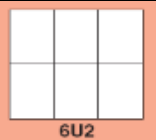
Test	Method	Limit	Frequency
Organoleptic - Raw product	QA Check	Refer to QAS	Annually

3. PACKAGING

3.1. INNER/PRIMARY PACKAGING

Packaging Type	Packaging Details	Seal Integrity	Action
LINER	CARTON LINER BLUE 650x960x34UM	Knot Tied	Present 10Kg of chicken frames neatly in lined carton, knot tie liner.

3.2. OUTER/SECONDARY PACKAGING

Packing Type	Description	Dimensions	Tare Weight (g)	Action
CARTON	MACHINE ERECTED BOIX TRAY STEGGLES 	Inner: 544x363x130 mm Outer: 568x371x134 mm	475	Seal & Label.
FILM	WRAP PALLET	Outer: 500X400X11UM	N/A	Wrap Pallet.
Unit/Carton	10.00Kg			
				
Pallet Configuration	6 cartons per layer, 8 layers high = 48 cartons per pallet			
Delivery height of (mm)	1222 mm			

4. LABELLING / PRINTING

Label Type	Description	Positioning/ Location	Label Information	Type of Application
CARTON LABEL	HI-VIS CARTON LABEL 85X121	Place product label at end of carton.	Product Name, Code, Best Before Date, NET Weight, Storage Instructions, Company Name, Address, Country of Origin, Plant Produced, Est. Number.	Applied Manually

5. STORAGE CONDITIONS AND SHELF LIFE		
STORAGE CONDITIONS	SHELF LIFE	
	Best Before / Use By Date	Number of Days
Fresh: Keep Refrigerated. Store at or below 4°C.	Best Before Date from Date Of Kill	0+7 Days

6. TRACEABILITY			
6.1. PACKAGING AND LABELLING			
Inner Packaging	Type of Packaging	Best Before Date	Establishment Number
Outer packaging	Type of Packaging	Best Before Date	Establishment Number
Inner and Outer labels	Right label and presence on the packaging		

6.2. RAW MATERIAL			
SUBSTRATE	Kill Date	% in the Final Product	Total Kg per Batch

7. INGREDIENT DECLARATION
Chicken (100%).

8. NUTRITION INFORMATION PANEL – N/A

9. CLAIMS				
Claim	Criteria	Justification	Can we make this claim? YES/NO	Claim Present on Packaging? YES/NO
Halal Approved	Halal Certification for processing site(s) and ingredients.	Halal Certification for all sites.	YES	NO

10. ALLERGEN STATEMENT	
Contains	Nil
May be present	Nil

11. ALLERGENS		
VITAL ANALYSIS Required	NO	
VITAL ANALYSIS Available	NO	
PARAMETERS	PRESENCE (YES/NO)	DESCRIPTION OF INGREDIENT
Cereals containing gluten & their products	No	
Crustacea and their products	No	
Egg and egg products	No	
Fish and fish products	No	
Milk & milk products	No	
Lupin and Lupin Products	No	
Peanuts and peanut products	No	
Tree nuts and tree nut products other than coconut from the fruit of the palm <i>Cocos nucifera</i>	No	
Sesame seeds and sesame seed products	No	
Soybeans and soybean products	No	
Added Sulphites (> 10 mg/kg or 10ppm)	No	
Honey & honey products	No	

12. COUNTRY OF ORIGIN STATEMENT
<p>Australian Chicken.</p> 

13. COOKING INSTRUCTIONS – N/A

14. GMO & IRRADIATED PRODUCT	
No	Genetically Modified – does this product contain genetically modified materials according to Food Standards Australia New Zealand (FSANZ) food standard 1.5.2.
No	Not Irradiated – does this product contain materials that have been irradiated, according to Food Standards Australia New Zealand (FSANZ) food standard 1.5.3.

15. ADVISORY STATEMENTS	
Poultry Products	Handling Chicken Safely: 1. Always keep fresh product refrigerated and separated from other foods. 2. Always thaw frozen chicken completely before cooking. 3. Wash hands, work surfaces and utensils thoroughly in hot soapy water, before and after handling chicken. 4. Always cook thoroughly.
Freeze Process	If frozen thaw in the refrigerator prior to cooking. Once thawed do not refreeze.
Contains Bones	This product contains bone(s).

16. MANUFACTURING SITE			
Type	Site	Address	Establishment Number
Finished Product	<i>BERESFIELD</i>	Bartter Enterprises Pty Limited: Hawthorne St, Beresfield, NSW 2322	679
	<i>HANWOOD</i>	Bartter Enterprises Pty Limited: Murphy Rd, Hanwood, NSW 2680	2060
	<i>MAREEBA</i>	Bartter Enterprises Pty Limited: 1 Moody St, Mareeba, QLD 4880	N/A
	<i>OSBORNE PARK</i>	Bartter Enterprises Pty Limited: 116 Howe St, Osborne Park, WA 6017	188
	<i>TAMWORTH</i>	Baiada Poultry Pty Limited: 1 Out St, West Tamworth, NSW 2340	4521
	<i>ADELAIDE</i>	BPL Adelaide Pty Limited: 20-22 Moss Road, Wingfield, SA 5013	2893

Approval			
Name	Position	Date	Signature
Kyle Sceresini	Operations	05/09/2018	<i>Kyle Sceresini</i>
Monique Hassett	Product Development	27/08/2018	<i>Monique Hassett</i>
Theodora Mpambwa	Quality Assurance	13/09/2018	<i>Theodora Mpambwa</i>